

**TITLE: SPECIFICATION CONTROL DRAWING**

**PART IDENTIFIER:** 13-250-T

**DESCRIPTION:** PILL TERMINATION

**ASSEMBLY DWG:** 1400294

**1.0 SPECIFICATIONS:**

- 1.1 ELECTRICAL:
  - 1.1.1 IMPEDANCE: 50 OHMS NOMINAL.
  - 1.1.2 FREQUENCY: DC-26.5 GHZ.
  - 1.1.3 INPUT POWER (MAX @ 25°C): (DERATED LINEARLY TO ZERO POWER @ 150°C)
    - 1.1.3.1 AVERAGE: 1 WATT.
    - 1.1.3.2 PEAK: 100 WATTS, 100US PULSE WIDTH AND 0.1% DUTY CYCLE.
  - 1.1.4 VSWR: 1.35 MAX.
  - 1.1.5 SCHEMATIC: SEE SHEET 2, FIG. 2.
- 1.2 MECHANICAL:
  - 1.2.1 OUTLINE DWG: SEE SHEET 2, FIGURE 1.
  - 1.2.2 WORKMANSHIP: PER MIL-D-39030.
- 1.3 ENVIRONMENTAL:
  - 1.3.1 TEMPERATURE RANGE:
    - 1.3.1.1 NON-OPERATING: -55°C TO +150°C.
    - 1.3.1.2 OPERATING: -55°C TO +150°C.

**2.0 UNIT MARKING:** "13-250-T AND EMCT"  
LEGIBILITY AND PERMANENCY PER MIL-STD-130.

**3.0 QUALITY ASSURANCE:**

- 3.1 PERFORM INSPECTION IN ACCORDANCE WITH QA0006 AND FORM0357 FOR COMMERCIAL GRADE PRODUCT.
- 3.2 TEST DATA REQUIREMENTS:
  - 3.2.1 NO TEST DATA REQUIRED FOR CUSTOMER.
  - 3.2.2 DATA RETENTION – 24 MONTHS.

**4.0 PACKAGING:** STANDARD PACK PER MC0023.

<b>ENG</b>		<b>PUR</b>		<b>MFG</b>		<b>PLAN</b>		<b>SM</b>		
<b>CC</b>				<b>QA</b>						
<b>EMC TECHNOLOGY, INC</b> <b>1971 OLD CUTHBERT ROAD</b> <b>CHERRY HILL, NJ 08034</b>		<b>CAGE CODE # 24602</b>					<b>DWG #</b>	1004885000		
		<b>CHANGE NOTICE</b>		EN 01-401			<b>REV LVL</b>	D		
							<b>SHEET</b>	1 OF 2		

PART ID REF

13-250-T

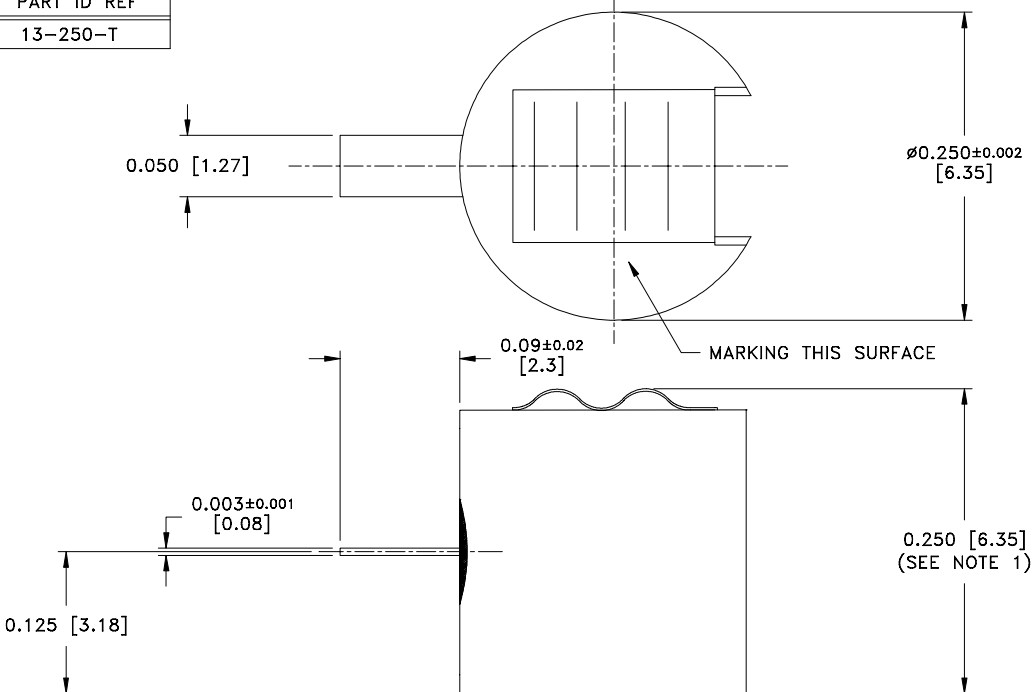


FIGURE 1

**MECHANICAL SPECIFICATIONS:**

**CASE:**

MATERIAL - BRASS, ASTM B16.  
FINISH - GOLD, MIL-G-45204, TYPE II, CLASS 1.

**TAB:**

MATERIAL - BERYLLIUM COPPER, ASTM B197.  
FINISH - GOLD, MIL-G-45204, TYPE II, CLASS 1.

**SPRING:**

MATERIAL - BERYLLIUM COPPER, ASTM B194.  
FINISH - GOLD, MIL-G-45204, TYPE II CLASS 1.

**CERAMIC:**

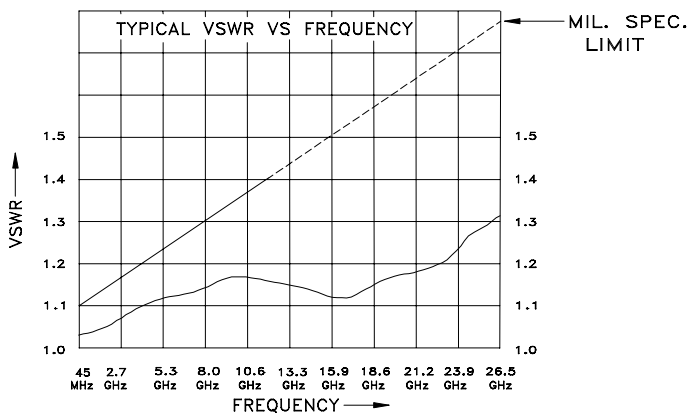
MATERIAL - ALUMINA, MIL-I-10.

METRIC EQUIVALENTS GIVEN IN [mm]  
FOR REFERENCE INFORMATION ONLY



**NOTE:**

- 1. MINIMUM EXPANDED SIZE - 0.257 [6.53].
- MAXIMUM COMPRESSED SIZE - 0.246 [6.25].



NOTE: EFFECTS OF TEST FIXTURE REMOVED USING T.D.R. GATING TECHNIQUES.  
(MEASURED ON H.P. 8510 NETWORK ANALYZER)

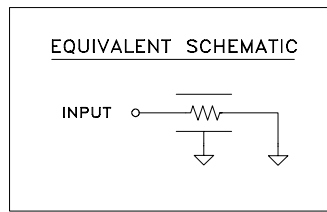
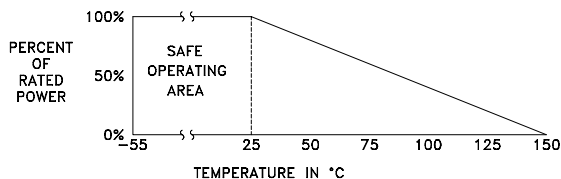


FIGURE 2

**POWER RATING AND DERATING**



EMC TECHNOLOGY INC  
1971 OLD CUTHBERT RD  
CHERRY HILL NJ 08034  
PHONE NO. (856) 429-7800  
FAX NO. (856) 429-1807

UNLESS OTHERWISE SPECIFIED DIMENSIONS ARE IN INCHES TOLERANCES  
FRACT ----  
ANG ----  
XX ----  
XXX ±0.005  
XXXX ----

THESE DRAWINGS AND SPECIFICATIONS ARE THE PROPERTY OF EMC TECHNOLOGY INC AND SHALL NOT BE DUPLICATED OR USED AS BASIS FOR THE MANUFACTURE OR SALE OF PARTS OR DEVICES WITHOUT PERMISSION.

CAGE CODE 24602	SCALE 1:1	DRAWN BY CME 08/30/2001	CHECKED BY	APPROVED BY DAR 9/4/01
REV D	CHANGE NOTICE EN 01-401	DRAWING NO 1004885000	SHEET 2 OF 2	