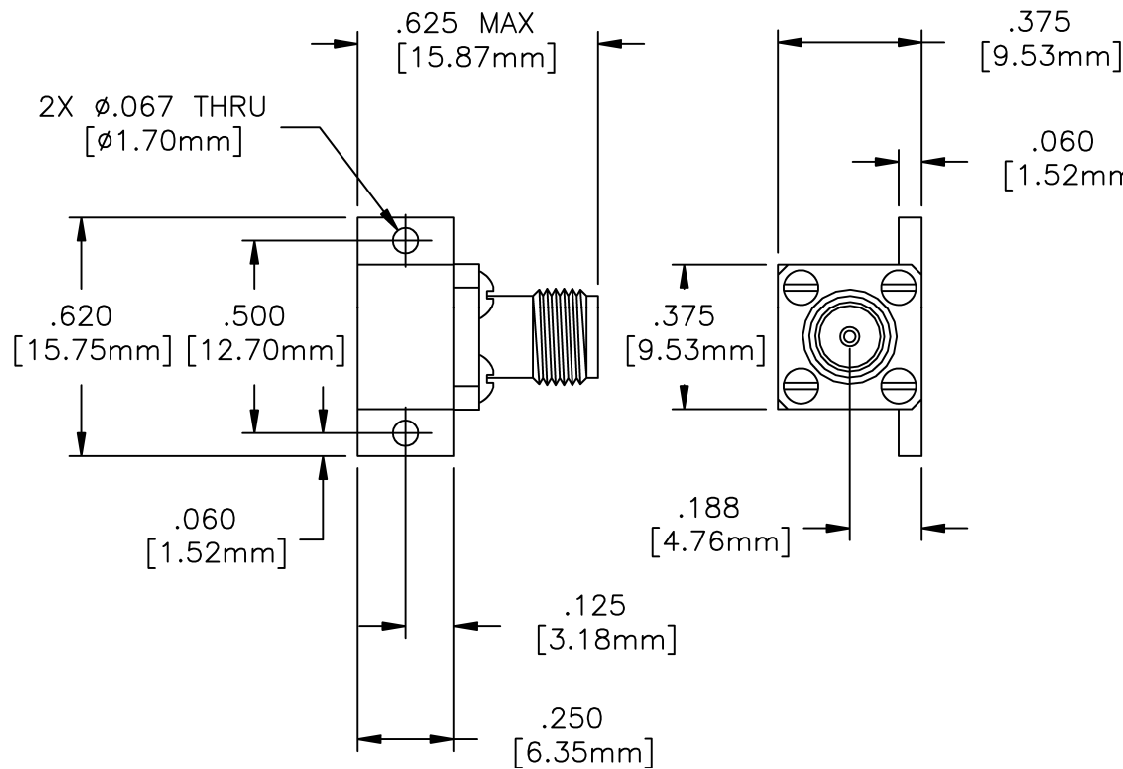


EDD

NOTES:  
1. UNLESS OTHERWISE SPECIFIED TOLERANCES ARE  $\pm 0.005"$  (.127mm)

DRAWING NO.:	REV.
12-300ISF	E



**MATERIALS:**


BASE HOUSING: ALUMINUM  
 SUBSTRATE: BERYLLIUM OXIDE  
 RESISTIVE FILM: NICHROME  
 SCREWS: STAINLESS STEEL  
 CONNECTOR:  
 BODY: STAINLESS STEEL PER QQ-S-764  
 CONTACT: BERYLLIUM COPPER PER QQ-C-530, COND.H, ALLOY 173  
 INSULATOR: TEFLON PER MIL-P-19468

**FINISH:**

BASE HOUSING: NICKEL PER QQ-N-290A  
 CONNECTOR:  
 BODY: CORROSION RESISTANT IAW MIL-STD-202  
 CONTACT: GOLD PER MIL-G-45204B

**ELECTRICAL: (TERMINATION)**

NOMINAL IMPEDANCE: 50 OHMS  
 FREQUENCY RANGE: DC-18.0 GHz  
 VSWR (MAX): 1.20:1  
 AVERAGE POWER: 15 WATTS  
 DC RESISTANCE: 50  $\pm$  2% OHMS  
 TEMPERATURE COEFFICIENT:  $\pm$  200 PPM MAX  
 OPERATING TEMPERATURE: -55° TO +125° (°C)

				RLSE# 02126	APVD	DATE	REFERENCE	 8851 OLD KANSAS AVE. STUART, FL. 34997 772-286-9300	
				UNLESS OTHERWISE SPECIFIED 1. DO NOT SCALE DRAWING 2. DIMENSIONS ARE IN INCHES 3. DIMENSIONS ARE AFTER PLATING 4. CORNERS, EDGES AND FILLETS: R MAX 5. SURFACE ROUGHNESS: 63 6. REMOVE ALL BURRS			CATALOG		
E	10-F0209	RS 02/16/10		TOLERANCES .X $\pm$ .XX $\pm$ .XXX $\pm$			MATERIAL	TITLE	
D	08-F0808	OJC 09/04/08		ANGLES X° $\pm$ X°			-	TERMINATION, SMA JACK, 15 WATT	
C	06-F0553	BM 06/27/06		THE INFORMATION CONTAINED HEREIN IS: (A) CONSIDERED PROPRIETARY TO FLORIDA RF LABS INC.; (B) PROTECTED BY COPYRIGHT OWNED BY FLORIDA RF LABS INC.; (C) CONSIDERED A "WORK FOR HIRE" UNDER COPYRIGHT LAW; (D) PROTECTED BY TRADE SECRET LAWS WHICH MAKE ILLEGAL THE MISAPPROPRIATION OF THIS INFORMATION; AND (E) IS TO BE USED SOLELY FOR THE PURPOSE WHICH IT IS SUPPLIED. THIS INFORMATION SHALL NOT BE DISCLOSED IN WHOLE OR IN PART, TO ANY PARTY, FOR ANY REASON WITHOUT THE EXPRESS WRITTEN CONSENT OF A QUALIFIED EXECUTIVE OF FLORIDA RF LABS INC.			FINISH		
B	EN#04-F0190	JAD 05/10/04					SCALE	CAGE CODE ID NO.	SIZE
A	DCN#0708	GEC 04/06/98	MTG 04/21/98	2/1	2Y194	A	12-300ISF	E	
REV.	DESCRIPTION	DRAWN	APVD.	MFG:	R FIELDS 05/06/97	CHKD.: PSC 05/02/97	DRAWN: GEC 04/01/97	SHEET	OF