

POWER DIVIDER 2 WAY 35 WATT

HybriX®



DATA SHEET

PART SERIES: P2S35D

SHEET 1 OF 2
Dwg P2S35D

EN 13-3674
Revision-

FEATURES

- Products available for 3G and 4G bands
- Surface mountable
- Small footprint
- High power handling
- Low insertion loss
- Excellent isolation and low VSWR
- Alumina construction

APPLICATIONS

- LTE, AWS, UMTS, GSM, and PCS base stations
- Antenna feed network
- Modulators
- Signal distribution nodes
- Combiners and splitters

GENERAL DESCRIPTION

Hybrix Wilkinson SMT Power Dividers are high power in-phase devices capable of combining and dividing 2-, 3-, and 4-way signals. The devices provide excellent isolation and low VSWR in a small surface mount package. Packaging options are tube or tape and reel.



ORDERING INFORMATION

Part Identifier: P2S35D

SPECIFICATIONS

1.0 ELECTRICAL

Frequency	Isolation	Insertion Loss	Amplitude Balance	Phase Balance	Power Handling
0.8 – 1.0 GHz	16 dB Min	0.3 dB Max	±0.2 dB	±2° Max	35 Watts

VSWR: PORT 1 1.40:1 Max
PORT 2,3 1.30:1 Max
Nominal Impedance: 50 OHMS

2.0 ENVIRONMENTAL

Operating Temperature: -55°C to +150°C

3.0 MARKING

Hybrix and part number

4.0 QUALITY ASSURANCE

Sample Inspect Per MIL-STD-105, Level II, 1.0% AQL.

Visual and Mechanical Examination for Conformance To Outline Drawing Requirements.

Measure Amplitude Balance and VSWR

Test Data Requirements

No Test Data Required

Data Retention – 12 months

5.0 PACKAGING

Standard Packaging: Tube

Note: Specifications are subject to change.

POWER DIVIDER 2 WAY 35 WATT

HybriX®



DATA SHEET

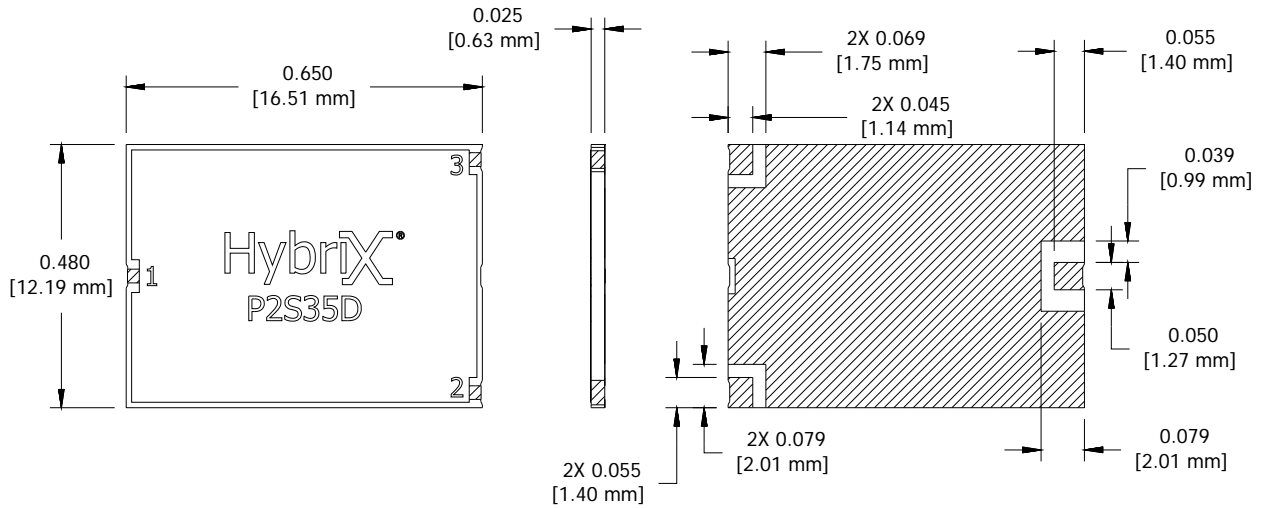
PART SERIES: P2S35D

SHEET 2 OF 2
Dwg P2S35D

EN 13-3674
Revision-

6.0 MECHANICAL

Substrate Material: Alumina
Resistive Film: Thick film
Terminal Material: Thick film, Nickel barrier solder plated
Metric Dimensions: Provided for reference only



Unless Otherwise Specified: TOLERANCE: X.XX = ± 0.02 X.XXX = ± 0.010

Note: Specifications are subject to change.