

POWER DIVIDER 3 WAY 35 WATT

HybriX®



DATA SHEET

PART SERIES: P3S35L

SHEET 1 OF 3
Dwg P3S35L

EN 13-3674
Revision -

FEATURES

Products available for 3G and 4G bands
Surface mountable
Small footprint
High power handling
Low insertion loss
Excellent isolation and low VSWR
Alumina construction

APPLICATIONS

LTE, AWS, UMTS, GSM, and PCS base stations
Antenna feed network
Modulators
Signal distribution nodes
Combiners and splitters

GENERAL DESCRIPTION

Hybrix Wilkinson SMT Power Dividers are high power in-phase devices capable of combining and dividing 2-, 3-, and 4-way signals. The devices provide excellent isolation and low VSWR in a small surface mount package. Packaging options are tube or tape and reel.



ORDERING INFORMATION

Part Identifier: P3S35L

SPECIFICATIONS

1.0 ELECTRICAL

Frequency	Isolation	Insertion Loss	Amplitude Balance	Phase Balance	Power Handling
2.0 - 2.4 GHz	16 dB Min	0.3 dB Max	±0.20 dB	±8°	35 Watts

VSWR: Input 1.4:1 Max
Output2 1.5:1 Max
Nominal Impedance: 50 OHMS

2.0 ENVIRONMENTAL

Operating Temperature: -55°C to +150°C

3.0 MARKING

Hybrix and part number

4.0 QUALITY ASSURANCE

Sample Inspect Per MIL-STD-105, Level II, 1.0% AQL.

Visual and Mechanical Examination for Conformance To Outline Drawing Requirements.
Measure Amplitude Balance and VSWR

Test Data Requirements

No Test Data Required
Data Retention – 12 months

5.0 PACKAGING

Standard Packaging: Tube

POWER DIVIDER 3 WAY 35 WATT

HybriX®



DATA SHEET

PART SERIES: P3S35L

SHEET 2 OF 3
Dwg P3S35L

EN 13-3674
Revision -

Note: Specifications are subject to change.

POWER DIVIDER 3 WAY 35 WATT

HybriX®



DATA SHEET

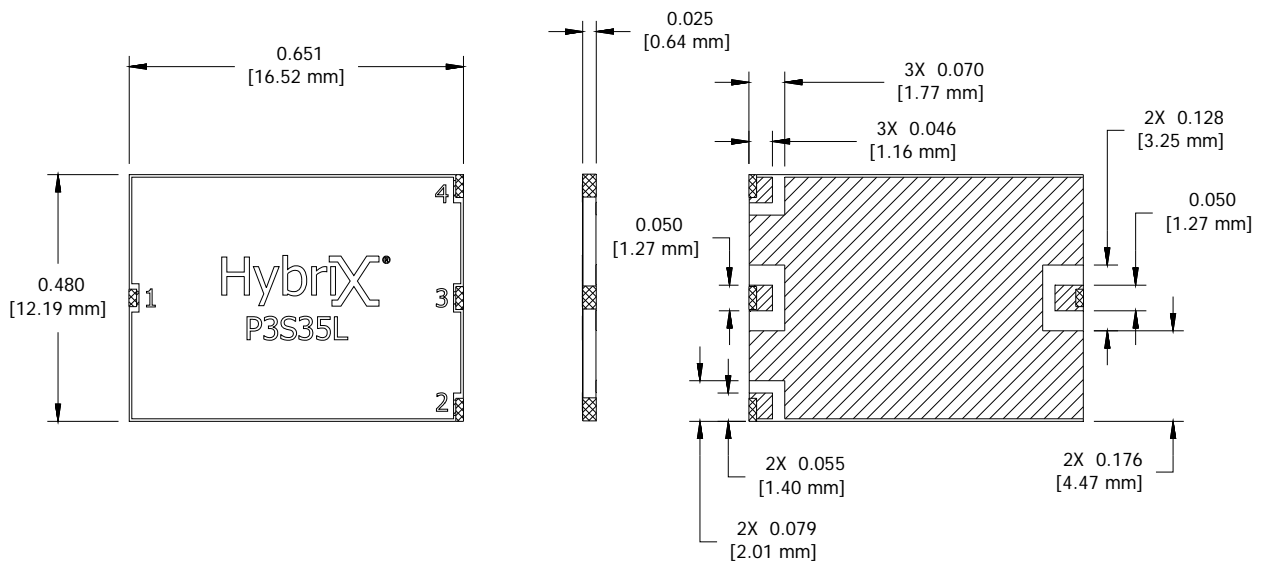
PART SERIES: P3S35L

SHEET 3 OF 3
Dwg P3S35L

EN 13-3674
Revision -

6.0 MECHANICAL

Substrate Material: Alumina
Resistive Film: Thick film
Terminal Material: Thick film, Nickel barrier solder plated
Metric Dimensions: Provided for reference only



Unless Otherwise Specified: TOLERANCE: X.XX = ± 0.02 X.XXX = ± 0.010

Note: Specifications are subject to change.