

POWER DIVIDER 2 WAY 50 WATT

HybriX[®]



DATA SHEET

PART SERIES: P2D50J

SHEET 1 OF 3
Dwg P2D50J

EN 16-1223
Revision A

FEATURES

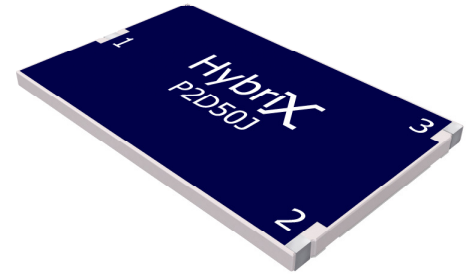
- Products available for 3G and 4G bands
- Surface mountable
- Small footprint
- High power handling
- Low insertion loss
- Excellent isolation and low VSWR
- Alumina construction

APPLICATIONS

- LTE, AWS, UMTS, GSM, and PCS base stations
- Antenna feed network
- Modulators
- Signal distribution nodes
- Combiners and splitters

GENERAL DESCRIPTION

Hybrix Wilkinson SMT Power Dividers are high power in-phase devices capable of combining and dividing 2-, 3-, and 4-way signals. The devices provide excellent isolation and low VSWR in a small surface mount package. Packaging options are tube or tape and reel.



ORDERING INFORMATION

Part Identifier: **P2D50J**

SPECIFICATIONS

1.0 ELECTRICAL

Frequency	Isolation	Insertion Loss	Amplitude Balance	Phase Balance	Power Handling
1.7 – 2.0 GHz	20 dB Min	0.30 dB Max	±0.20 dB Max	±2° Max	50 Watts

VSWR: PORT 1 1.40:1 Max
PORT 2,3 1.30:1 Max
Nominal Impedance: 50 OHMS

2.0 ENVIRONMENTAL

Operating Temperature: -55°C to +150°C

3.0 MARKING

Hybrix and part number

4.0 QUALITY ASSURANCE

Sample Inspect Per MIL-STD-105, Level II, 1.0% AQL.

Visual and Mechanical Examination for Conformance To Outline Drawing Requirements.
Measure Amplitude Balance and VSWR

Test Data Requirements

No Test Data Required
Data Retention – 12 months

5.0 PACKAGING

Standard Packaging: Tube

Note: Specifications are subject to change.

POWER DIVIDER 2 WAY 50 WATT

HybriX®



DATA SHEET

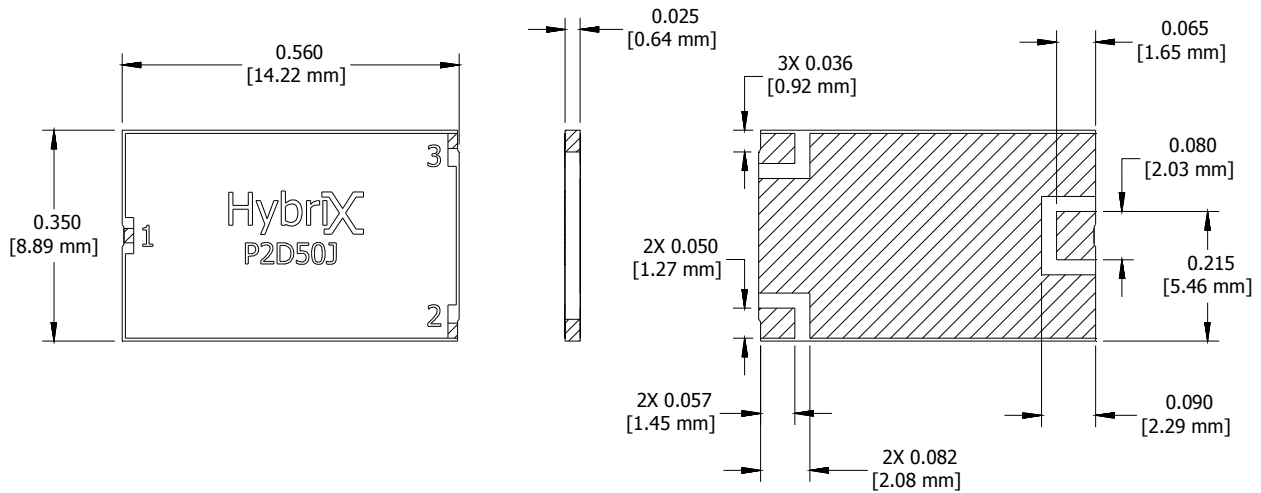
PART SERIES: P2D50J

SHEET 2 OF 3
Dwg P2D50J

EN 16-1223
Revision A

6.0 MECHANICAL

Substrate Material: Alumina
Resistive Film: Thick Film
Terminal Material: Thick Film, Nickel barrier solder plated
Metric Dimensions: Provided for reference only



Unless Otherwise Specified: TOLERANCE: X.XX = ± 0.02 X.XXX = ± 0.010

Note: Specifications are subject to change.

POWER DIVIDER 2 WAY 50 WATT

HybriX®



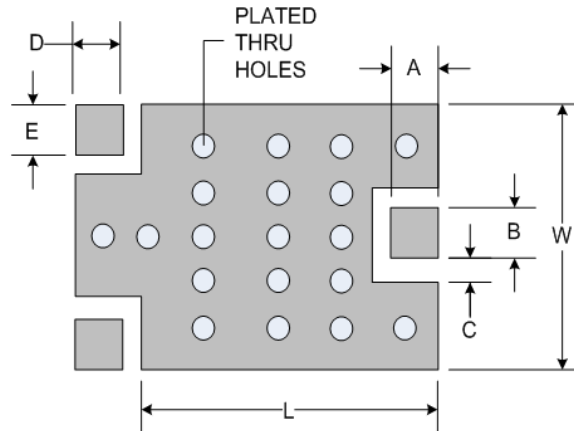
DATA SHEET

PART SERIES: P2D50J

SHEET 3 OF 3
Dwg P2D50J

EN 16-1223
Revision A

7.0 SUGGESTED MOUNTING FOOTPRINT



Part Number	Inches							mm						
	A	B	C	D	E	W	L	A	B	C	D	E	W	L
P2D50J	0.070	0.085	0.020	0.065	0.055	0.350	0.480	1.78	2.16	0.51	1.65	1.40	8.89	12.19

Note: Specifications are subject to change.