

CROSSOVER RF-RF 100 WATT

HybriX[®]



DATA SHEET

PART SERIES: XPRF

SHEET 1 OF 4
Dwg XPRF

EN 17-0458
Revision A

FEATURES

Low Profile Surface Mount Package
High Power
Low Insertion Loss
High Isolation
High Reliability

APPLICATIONS

Power Amplifiers
Military Radius
Satellite Communication
General PCB

GENERAL DESCRIPTION

EMC Technology's crossovers are designed to provide a low-loss and easy-to-implement method for a RF transmission line to cross a DC or another RF line. These compact devices offer designers a high performance alternative to complex and expensive multilayered PCB layouts.



ORDERING INFORMATION

Part Identifier: **XPRF**

SPECIFICATIONS

1.0 ELECTRICAL

Frequency	Insertion Loss	VSWR	Isolation	Power Handling
DC - 1.0 GHz	0.05 dB Max	1.10:1 Max	40 dB Min	100 Watts
1.0 – 2.5 GHz	0.05 dB Max	1.20:1 Max	30 dB Min	100 Watts
2.5 – 3.6 GHz	0.15 dB Max	1.20:1 Max	30 dB Min	100 Watts
3.6 – 7.0 GHz	0.25 dB Max	1.35:1 Max	30 dB Min	100 Watts

Nominal Impedance: 50 OHMS

2.0 ENVIRONMENTAL

Operating Temperature: -55°C to +85°C

3.0 MARKING

EMCT and Part Number

4.0 QUALITY ASSURANCE

Sample Inspect Per MIL-STD-105, Level II, 1.0% AQL.

Visual and Mechanical Examination for Conformance To Outline Drawing Requirements.

DC Continuity

Test Data Requirements

No Test Data Required

Data Retention – 12 months

5.0 PACKAGING

Standard: Tape and Reel

Note: Specifications are subject to change.

CROSSOVER RF-RF 100 WATT

HybriX®



DATA SHEET

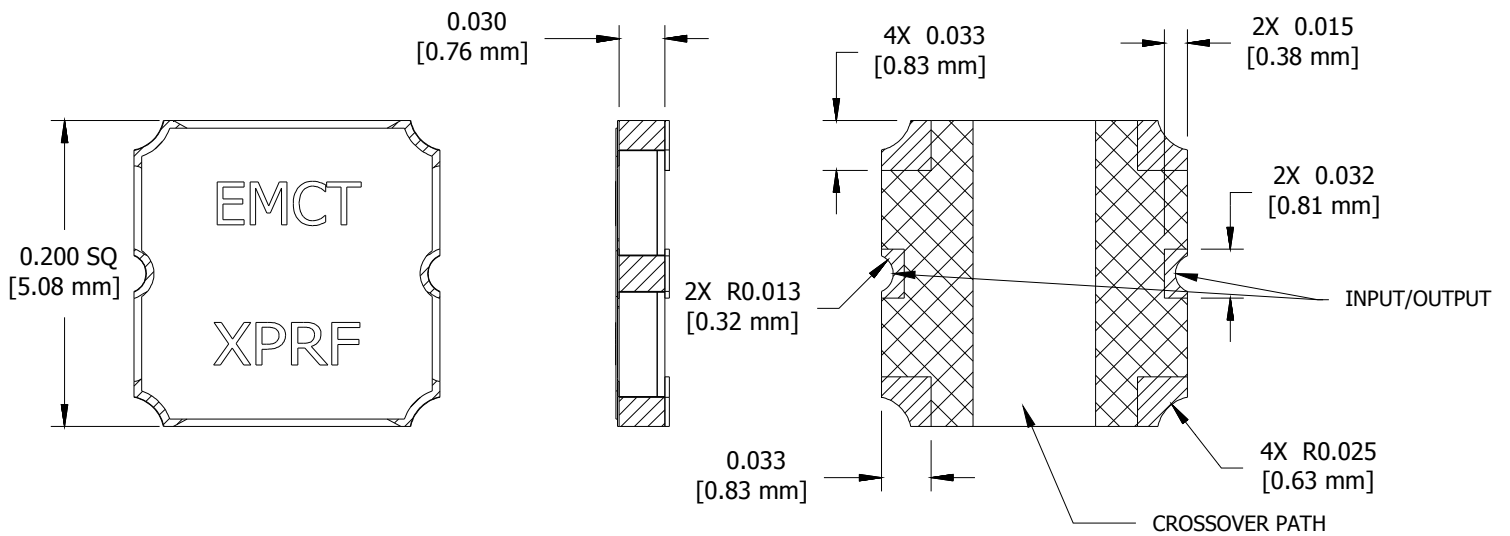
PART SERIES: XPRF

SHEET 2 OF 4
Dwg XPRF

EN 17-0458
Revision A

6.0 MECHANICAL

Substrate:	Alumina
Conductor:	Thick Film
Plating:	Silver
Metric Dimensions:	Provided for reference only



Unless Otherwise Specified: TOLERANCE: X.XX = ± 0.02 X.XXX = ± 0.010

Note: Specifications are subject to change.

CROSSOVER RF-RF 100 WATT

HybriX®



DATA SHEET

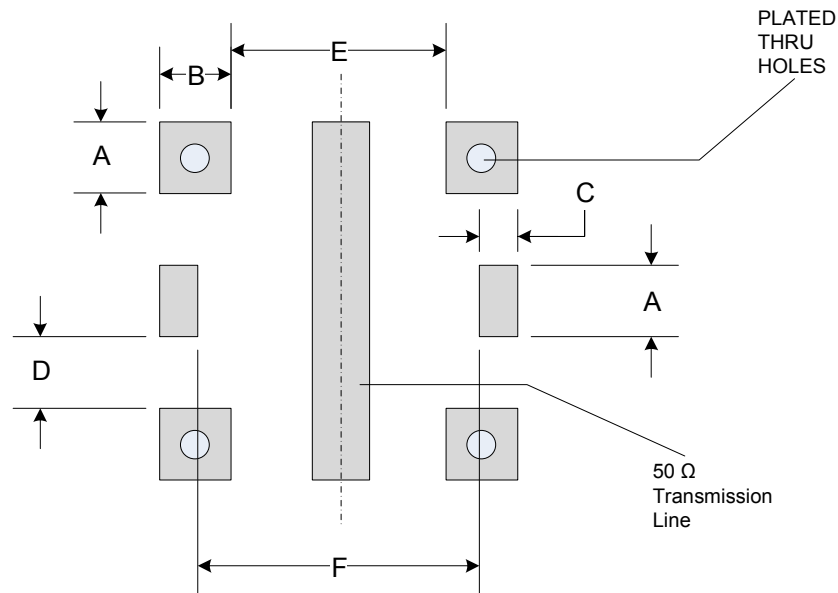
PART SERIES: XPRF

SHEET 3 OF 4
Dwg XPRF

EN 17-0458
Revision A

7.0 SUGGESTED MOUNTING FOOTPRINT

Part Number	Inches						mm					
	A	B	C	D	E	W	A	B	C	D	E	W
XPRF	0.036	0.036	0.020	0.049	0.134	0.170	0.91	0.91	0.51	1.24	3.40	4.32



CROSSOVER RF-RF 100 WATT

HybriX®



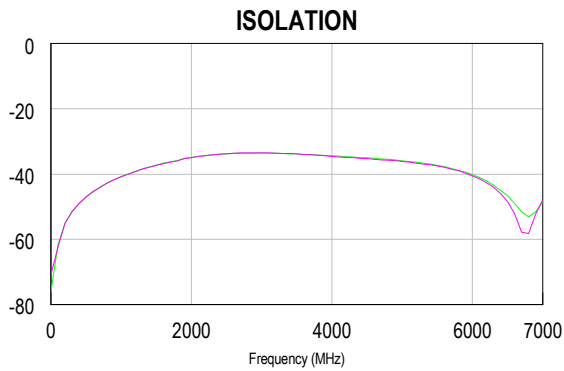
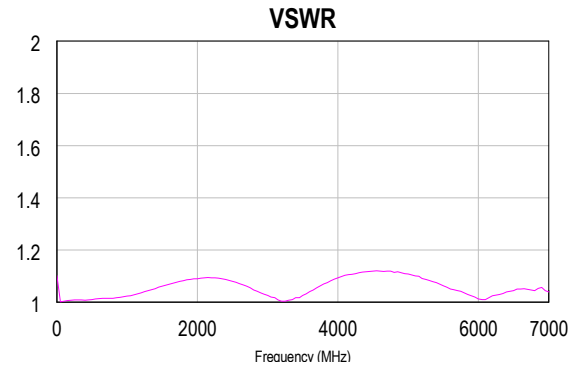
DATA SHEET

PART SERIES: XPRF

SHEET 4 OF 4
Dwg XPRF

EN 17-0458
Revision A

8.0 TYPICAL PERFORMANCE AT 25°C



Note: Specifications are subject to change.